

# TEAR

Aluminum Shade  
with White Inner Diffuser

Catalog #:

Project:

Type:

Date:

Notes:

## Electrical

- 120V input (277V available in arm and post option only)
- Integrated power supply allows the fixture to be connected directly into line voltage
- Pre-wired and ready for install
- LED is dimmable with Incandescent/Triac dimmers

## Mounting

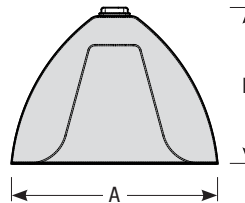
- 1/2" or 3/4" IP for arms. Flush mount, stems and post available only in 1/2"
- 9' Pendant cord available in black or white cord (includes 5" canopy with the same finish as the shade)

## Finishes

- Shade and mounting finish options
- Available in 21 standard and 2 specialty finishes with optional coastal coating to protect finish in coastal environments (add "-C" to the finish)
- Inner shade is painted semi gloss white
- Consult factory for custom finish options

## Listing

UL listed to US and Canadian standards for wet locations



	A	B
TR12	12"	10"
TR14	14"	10"
TR16	16"	11"
TR18	18"	12"

## Tear Order Matrix (Example: TR18LED1835ABL-2)

Diameter	Lamp / LED	Shade Finish	Coastal Coating Option	Mounting Type
TR12 (12")	<b>M</b> (Medium Base, 100W max.)	<b>ABL</b> Aegean Blue	(blank) (No coating)	<b>-2</b> (1/2" IP)
TR14 (14")	<b>GU2413<sup>1</sup></b> (13W GU24 / 2700K)	<b>BB</b> (Burnished Bronze)	<b>-C</b> (Coating)	<b>-3</b> (3/4" IP)
TR16 (16")	<b>GU2418<sup>1</sup></b> (18W GU24 / 2700K)	<b>BK</b> (Gloss Black)		<b>-B</b> (Black Cord Pendant)
TR18 (18")	<b>GU2426<sup>1</sup></b> (26W GU24 / 2700K)	<b>BLU</b> (Blue)		<b>-W</b> (White Cord Pendant)
	<b>GU2432<sup>1</sup></b> (32W GU24 / 2700K)	<b>DVG</b> (Dove Gray)		<b>-F</b> (Flush Mount)
	<b>GU2442<sup>1</sup></b> (42W GU24 / 2700K)	<b>FLG</b> (Flannel Gray)		
	<b>LED1227<sup>1,2</sup></b> (12W LED / 2700K / 90 CRI / 844lm)	<b>GA</b> (Galvanized)		
	<b>LED1230<sup>1,2</sup></b> (12W LED / 3000K / 90 CRI / 861lm)	<b>LG</b> (Lime Green)		
	<b>LED1235<sup>1,2</sup></b> (12W LED / 3500K / 90 CRI / 872lm)	<b>MB</b> (Matte Black)		
	<b>LED1240<sup>1,2</sup></b> (12W LED / 4000K / 90 CRI / 889lm)	<b>MBL</b> (Midnight Blue)		
	<b>LED1827<sup>1,2</sup></b> (18W LED / 2700K / 90 CRI / 1265lm)	<b>PNA</b> (Painted Natural Aluminum)		
	<b>LED1830<sup>1,2</sup></b> (18W LED / 3000K / 90 CRI / 1288lm)	<b>PNC</b> (Painted Natural Copper)		
	<b>LED1835<sup>1,2</sup></b> (18W LED / 3500K / 90 CRI / 1311lm)	<b>RD</b> (Red)		
	<b>LED1840<sup>1,2</sup></b> (18W LED / 4000K / 90 CRI / 1334lm)	<b>SGR</b> (Sage Green)		
		<b>SGW</b> (Semi Gloss White)		
		<b>SND</b> (Sand)		
		<b>SS</b> (Satin Silver)		
		<b>TBZ</b> (Textured Bronze)		
		<b>TGP</b> (Textured Graphite)		
		<b>TNG</b> (Tangerine)		
		<b>TTL</b> (Tahitian Teal)		
		<b>WT</b> (Gloss White)		
		<b>YEL</b> (Yellow)		

1. Lamps must be specified, and are not included in shade cost
2. Lumen are raw LED value

## KEY: Standard Finishes

<b>ABL</b> (Aegean Blue)	<b>LG</b> (Lime Green)	<b>SGR</b> (Sage Green)
<b>BB</b> (Burnished Bronze)	<b>MB</b> (Matte Black)	<b>SGW</b> (Semi Gloss White)
<b>BK</b> (Gloss Black)	<b>MBL</b> (Midnight Blue)	<b>SND</b> (Sand)
<b>BLU</b> (Blue)	<b>PNA</b> (Painted Natural Aluminum)	<b>SS</b> (Satin Silver)
<b>DVG</b> (Dove Gray)	<b>PNC</b> (Painted Natural Copper)	<b>TBZ</b> (Textured Bronze)
<b>FLG</b> (Flannel Gray)	<b>RD</b> (Red)	<b>TGP</b> (Textured Graphite)

## Specialty Finishes

<b>GA</b> (Galvanized)	<b>TNG</b> (Tangerine)
<b>TTL</b> (Tahitian Teal)	<b>WT</b> (Gloss White)
<b>YEL</b> (Yellow)	

Spec-00041 Revised 08/11/2020

14508 Nelson Ave. City of Industry, CA 91744 • tel: 626.336.4511 • fax: 626.330.4266 • www.TroyRLM.com  
©2020 Troy-RLM Lighting, A Division of Troy-CSL Lighting, Inc. All rights reserved. Subject to change without notice.



# TEAR

Aluminum Shade  
with White Inner Diffuser

Catalog #:

Project:

Date:

Type:

Notes:

## Arm Mount Order Matrix (Example: 3LL23SS)

Pipe	Arm Type	Finish	Coastal Coating Option	Input Voltage
2 (1/2" IP)	<b>SL23</b> (Small Loop - 23")	<b>ABL</b> (Aegean Blue)	(blank) (No coating)	(blank) (120V)
	<b>SL30</b> (Small Loop - 30")	<b>BB</b> (Burnished Bronze)	<b>-C</b> (Coating)	<b>-27</b> (277V)
3 (3/4" IP)	<b>LL23</b> (Large Loop - 23")	<b>BK</b> (Gloss Black)		
	<b>LL30</b> (Large Loop - 30")	<b>BLU</b> (Blue)		
	<b>LC18</b> (Curve Arm - 18")	<b>DVG</b> (Dove Gray)		
	<b>LC24</b> (Curve Arm - 24")	<b>FLG</b> (Flannel Gray)		
	<b>LC30</b> (Curve Arm - 30")	<b>GA</b> (Galvanized)		
	<b>LM18</b> (Miter Arm - 18")	<b>LG</b> (Lime Green)		
	<b>LM24</b> (Miter Arm - 24")	<b>MB</b> (Matte Black)		
	<b>LM30</b> (Miter Arm - 30")	<b>MBL</b> (Midnight Blue)		
	<b>SA18</b> (Sign Arm - 18")	<b>PNA</b> (Painted Natural Aluminum)		
	<b>SA23</b> (Sign Arm - 23")	<b>PNC</b> (Painted Natural Copper)		
	<b>LSA23</b> (Large Loop Sign Arm - 23")	<b>RD</b> (Red)		
	<b>LSA30</b> (Large Loop Sign Arm - 30")	<b>SGR</b> (Sage Green)		
	<b>A6</b> (Straight Arm - 6")	<b>SGW</b> (Semi Gloss White)		
	<b>A12</b> (Straight Arm - 12")	<b>SND</b> (Sand)		
	<b>A18</b> (Straight Arm - 18")	<b>SS</b> (Satin Silver)		
	<b>A24</b> (Straight Arm - 24")	<b>TBZ</b> (Textured Bronze)		
	<b>A30</b> (Straight Arm - 30")	<b>TGP</b> (Textured Graphite)		
	<b>MA18</b> (Modern Arm - 18")	<b>TNG</b> (Tangerine)		
	<b>MA24</b> (Modern Arm - 24")	<b>TTL</b> (Tahitian Teal)		
	<b>MA30</b> (Modern Arm - 30")	<b>WT</b> (Gloss White)		
		<b>YEL</b> (Yellow)		

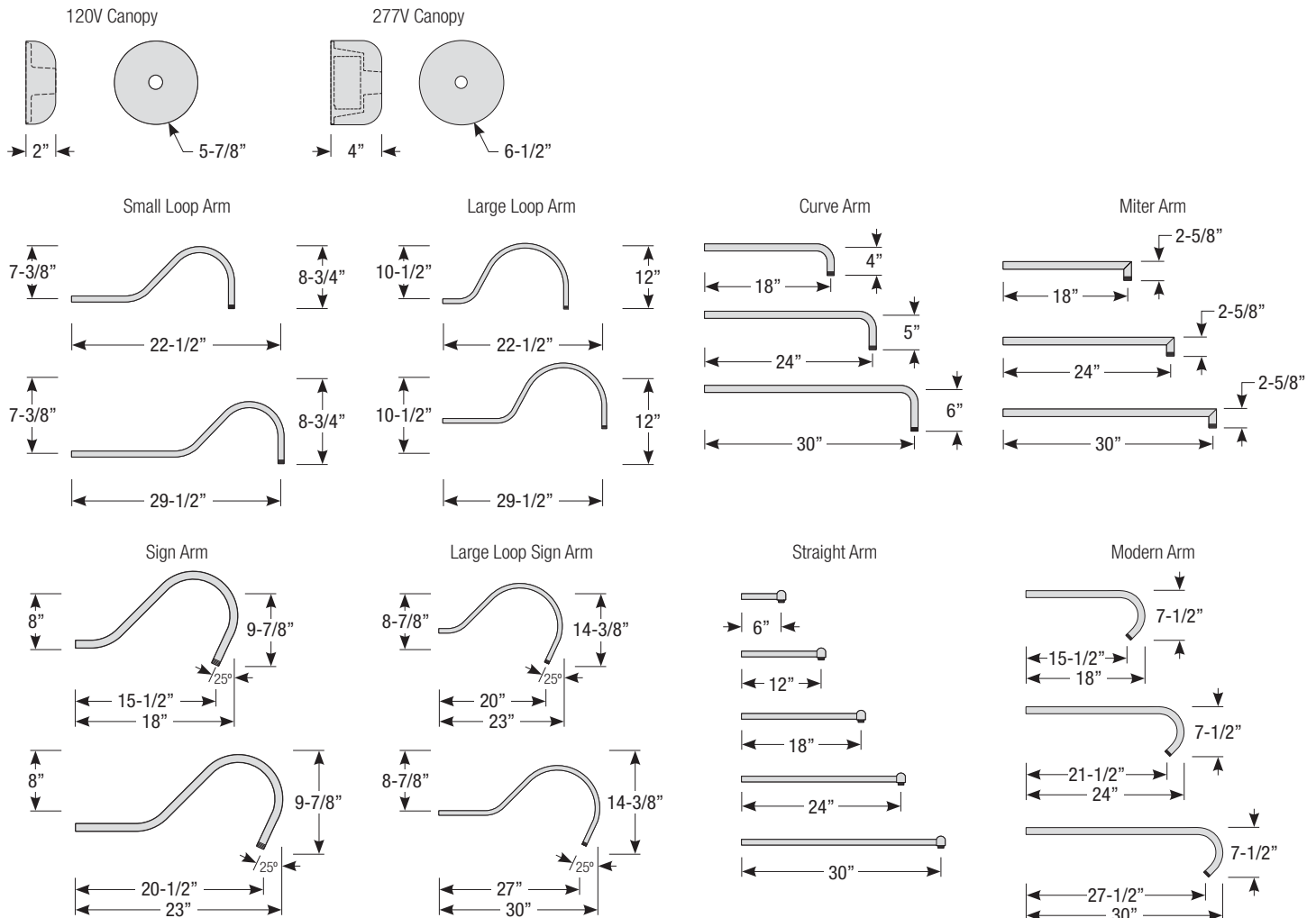
### Standard Finishes

	<b>ABL</b> (Aegean Blue)		<b>RD</b> (Red)
	<b>BB</b> (Burnished Bronze)		<b>SGR</b> (Sage Green)
	<b>BK</b> (Gloss Black)		<b>SGW</b> (Semi Gloss White)
	<b>BLU</b> (Blue)		<b>SND</b> (Sand)
	<b>DVG</b> (Dove Gray)		<b>SS</b> (Satin Silver)
	<b>FLG</b> (Flannel Gray)		<b>TBZ</b> (Textured Bronze)
	<b>LG</b> (Lime Green)		<b>TGP</b> (Textured Graphite)
	<b>MB</b> (Matte Black)		<b>TNG</b> (Tangerine)
	<b>MBL</b> (Midnight Blue)		<b>TTL</b> (Tahitian Teal)
	<b>PNA</b> (Painted Natural Aluminum)		<b>WT</b> (Gloss White)
	<b>PNC</b> (Painted Natural Copper)		<b>YEL</b> (Yellow)

### Specialty Finishes

	<b>GA</b> (Galvanized)
--	------------------------

Note: All arm mounts include canopy



Spec-00041 Revised 08/11/2020

14508 Nelson Ave. City of Industry, CA 91744 • tel: 626.336.4511 • fax: 626.330.4266 • www.TroyRLM.com  
©2020 Troy-RLM Lighting, A Division of Troy-CSL Lighting, Inc. All rights reserved. Subject to change without notice.



# TEAR

Aluminum Shade  
with White Inner Diffuser

Catalog #:

Project:

Type:

Date:

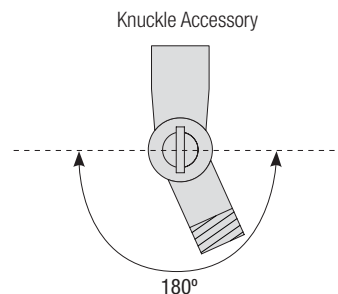
Notes:

### Knuckle Accessory Order Matrix (Example: 2KNLSS)

Pipe	Finish	Finish	Coastal Coating Option
2 (1/2" IP)	<b>KNL</b> (Adjustable 180° Knuckle for Arm Mounts)	<b>ABL</b> (Aegean Blue)	(blank) (No coating)
3 (3/4" IP)		<b>BB</b> (Burnished Bronze) <b>BK</b> (Gloss Black) <b>BLU</b> (Blue) <b>DVG</b> (Dove Gray) <b>FLG</b> (Flannel Gray) <b>GA</b> (Galvanized) <b>LG</b> (Lime Green) <b>MB</b> (Matte Black) <b>MBL</b> (Midnight Blue) <b>PNA</b> (Painted Natural Aluminum) <b>PNC</b> (Painted Natural Copper) <b>RD</b> (Red) <b>SGR</b> (Sage Green) <b>SGW</b> (Semi Gloss White) <b>SND</b> (Sand) <b>SS</b> (Satin Silver) <b>TBZ</b> (Textured Bronze) <b>TGP</b> (Textured Graphite) <b>TNG</b> (Tangerine) <b>TTL</b> (Tahitian Teal) <b>WT</b> (Gloss White) <b>YEL</b> (Yellow)	<b>-C</b> (Coating)

### Description

Adjustable knuckle for arm mounts that allow luminaire to be rotated up to 180°.



### KEY: Standard Finishes

<b>ABL</b> (Aegean Blue)	<b>LG</b> (Lime Green)	<b>SGR</b> (Sage Green)
<b>BB</b> (Burnished Bronze)	<b>MB</b> (Matte Black)	<b>SGW</b> (Semi Gloss White)
<b>BK</b> (Gloss Black)	<b>MBL</b> (Midnight Blue)	<b>SND</b> (Sand)
<b>BLU</b> (Blue)	<b>PNA</b> (Painted Natural Aluminum)	<b>SS</b> (Satin Silver)
<b>DVG</b> (Dove Gray)	<b>PNC</b> (Painted Natural Copper)	<b>TBZ</b> (Textured Bronze)
<b>FLG</b> (Flannel Gray)	<b>RD</b> (Red)	<b>TGP</b> (Textured Graphite)

### Specialty Finishes

<b>TNG</b> (Tangerine)	<b>GA</b> (Galvanized)
<b>TTL</b> (Tahitian Teal)	
<b>WT</b> (Gloss White)	
<b>YEL</b> (Yellow)	

# TEAR

## Aluminum Shade with White Inner Diffuser

Catalog #:

Project:

Date:

Type:

Notes:

### Post / Wall Mount Order Matrix (Example: 2P1SS)

Pipe	Mount Type	Finish	Input Voltage
2 (1/2" IP)	<b>P1</b> (Single Post Mount) <b>P2</b> (Double Post Mount) <b>W1</b> (Traditional Wall Mount)	<b>ABL</b> (Aegean Blue)	(blank) (120V)
		<b>BB</b> (Burnished Bronze)	-27 <sup>3</sup> (277V)
		<b>BK</b> (Gloss Black)	
		<b>BLU</b> (Blue)	
		<b>DVG</b> (Dove Gray)	
		<b>FLG</b> (Flannel Gray)	
		<b>GA</b> (Galvanized)	
		<b>LG</b> (Lime Green)	
		<b>MB</b> (Matte Black)	
		<b>MBL</b> (Midnight Blue)	
		<b>PNA</b> (Painted Natural Aluminum)	
		<b>PNC</b> (Painted Natural Copper)	
		<b>RD</b> (Red)	
<b>SGR</b> (Sage Green)			
<b>SGW</b> (Semi Gloss White)			
<b>SND</b> (Sand)			
<b>SS</b> (Satin Silver)			
<b>TBZ</b> (Textured Bronze)			
<b>TGP</b> (Textured Graphite)			
<b>TNG</b> (Tangerine)			
<b>TTL</b> (Tahitian Teal)			
<b>WT</b> (Gloss White)			
<b>YEL</b> (Yellow)			

3. Post mount only


### Post Type Order Matrix (Example: P8683-96SS)

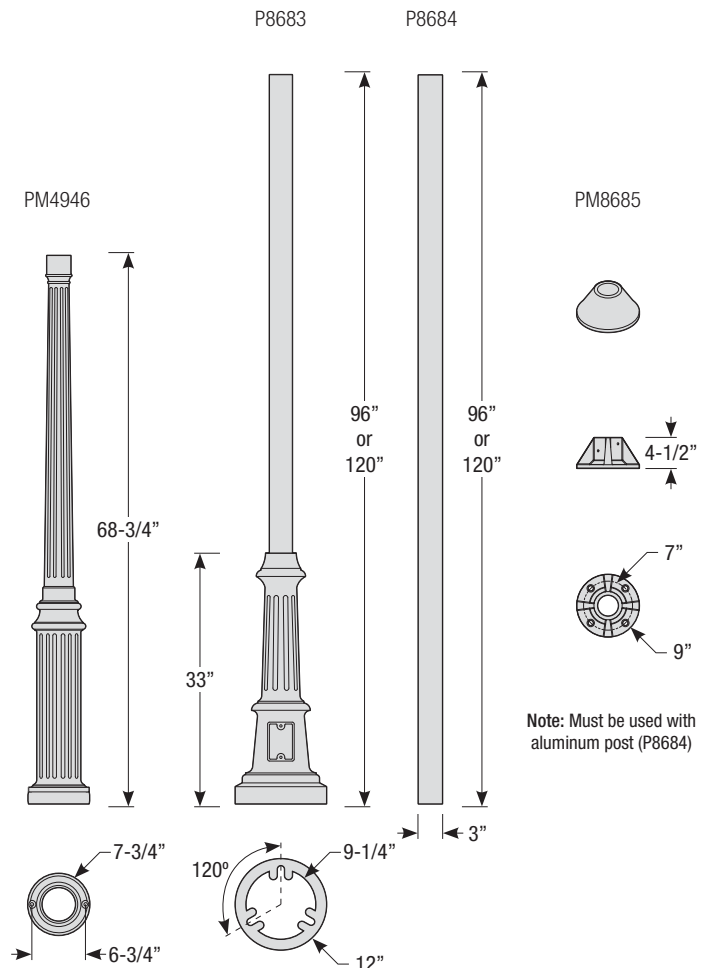
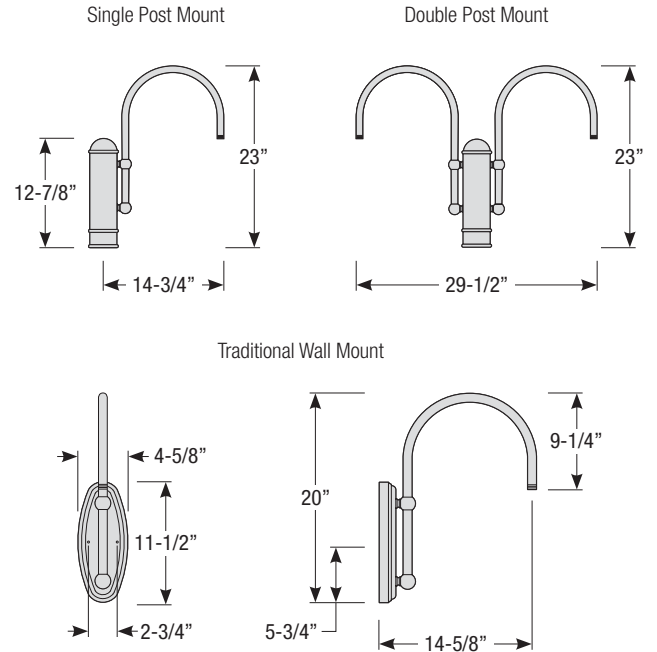
Post Type	Finish
<b>PM4946</b> (Cast Aluminum Post)	<b>ABL</b> (Aegean Blue)
<b>P8683-96</b> (Cast Aluminum Base w/ 96" Aluminum Post)	<b>BB</b> (Burnished Bronze)
<b>P8683-120</b> (Cast Aluminum Base w/ 120" Aluminum Post)	<b>BK</b> (Gloss Black)
<b>P8684-96</b> (96" Straight Aluminum Post)	<b>BLU</b> (Blue)
<b>P8684-120</b> (120" Straight Aluminum Post)	<b>DVG</b> (Dove Gray)
<b>PM8685</b> (Cast Aluminum Pier Mount - must be used with straight aluminum post, P8684)	<b>FLG</b> (Flannel Gray)
	<b>GA</b> (Galvanized)
	<b>LG</b> (Lime Green)
	<b>MB</b> (Matte Black)
	<b>MBL</b> (Midnight Blue)
	<b>PNA</b> (Painted Natural Aluminum)
	<b>PNC</b> (Painted Natural Copper)
	<b>RD</b> (Red)
	<b>SGR</b> (Sage Green)
	<b>SGW</b> (Semi Gloss White)
	<b>SND</b> (Sand)
	<b>SS</b> (Satin Silver)
	<b>TBZ</b> (Textured Bronze)
	<b>TGP</b> (Textured Graphite)
	<b>TNG</b> (Tangerine)
	<b>TTL</b> (Tahitian Teal)
	<b>WT</b> (Gloss White)
	<b>YEL</b> (Yellow)

### Standard Finishes

	<b>ABL</b> (Aegean Blue)		<b>RD</b> (Red)
	<b>BB</b> (Burnished Bronze)		<b>SGR</b> (Sage Green)
	<b>BK</b> (Gloss Black)		<b>SGW</b> (Semi Gloss White)
	<b>BLU</b> (Blue)		<b>SND</b> (Sand)
	<b>DVG</b> (Dove Gray)		<b>SS</b> (Satin Silver)
	<b>FLG</b> (Flannel Gray)		<b>TBZ</b> (Textured Bronze)
	<b>LG</b> (Lime Green)		<b>TGP</b> (Textured Graphite)
	<b>MB</b> (Matte Black)		<b>TNG</b> (Tangerine)
	<b>MBL</b> (Midnight Blue)		<b>TTL</b> (Tahitian Teal)
	<b>PNA</b> (Painted Natural Aluminum)		<b>WT</b> (Gloss White)
	<b>PNC</b> (Painted Natural Copper)		<b>YEL</b> (Yellow)

### Specialty Finishes

	<b>GA</b> (Galvanized)
---	------------------------



Note: Must be used with aluminum post (P8684)

Spec: 00041 Revised 08/11/2020

14508 Nelson Ave. City of Industry, CA 91744 • tel: 626.336.4511 • fax: 626.330.4266 • www.TroyRLM.com  
 ©2020 Troy-RLM Lighting, A Division of Troy-CSL Lighting, Inc. All rights reserved. Subject to change without notice.



# TEAR

Aluminum Shade  
with White Inner Diffuser

Catalog #:

Project:

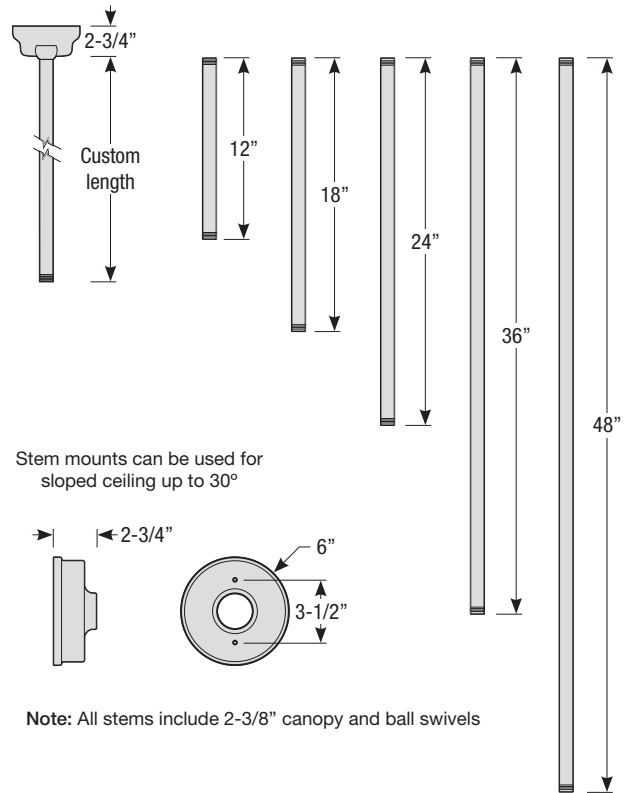
Type:

Date:

Notes:

**Stem Mount Order Matrix** (Example: 2HS36SS)

Pipe	Stem Length	Finish	Coastal Coating Option
2 (1/2" IP)	<b>HS12</b> (12")	<b>ABL</b> (Aegean Blue)	(blank) (No coating)
	<b>HS18</b> (18")	<b>BB</b> (Burnished Bronze)	<b>-C</b> (Coating)
	<b>HS24</b> (24")	<b>BK</b> (Gloss Black)	
	<b>HS36</b> (36")	<b>BLU</b> (Blue)	
	<b>HS48</b> (48")	<b>DVG</b> (Dove Gray)	
	<b>HS__</b> (Custom length from 2" up to 60")	<b>FLG</b> (Flannel Gray)	
		<b>GA</b> (Galvanized)	
		<b>LG</b> (Lime Green)	
		<b>MB</b> (Matte Black)	
		<b>MBL</b> (Midnight Blue)	
		<b>PNA</b> (Painted Natural Aluminum)	
		<b>PNC</b> (Painted Natural Copper)	
		<b>RD</b> (Red)	
		<b>SGR</b> (Sage Green)	
		<b>SGW</b> (Semi Gloss White)	
	<b>SND</b> (Sand)		
	<b>SS</b> (Satin Silver)		
	<b>TBZ</b> (Textured Bronze)		
	<b>TGP</b> (Textured Graphite)		
	<b>TNG</b> (Tangerine)		
	<b>TTL</b> (Tahitian Teal)		
	<b>WT</b> (Gloss White)		
	<b>YEL</b> (Yellow)		



Note: All stems include 2-3/8" canopy and ball swivels

**KEY: Standard Finishes**

- |   |   |  |
|---|---|--|
| <span style="display:inline-block; width:10px; height:10px; background-color:blue; border:1px solid black;"></span> <b>ABL</b> (Aegean Blue)                | <span style="display:inline-block; width:10px; height:10px; background-color:limegreen; border:1px solid black;"></span> <b>LG</b> (Lime Green)                             | <span style="display:inline-block; width:10px; height:10px; background-color:sagegreen; border:1px solid black;"></span> <b>SGR</b> (Sage Green)       |
| <span style="display:inline-block; width:10px; height:10px; background-color:burnishedbronze; border:1px solid black;"></span> <b>BB</b> (Burnished Bronze) | <span style="display:inline-block; width:10px; height:10px; background-color:matteblack; border:1px solid black;"></span> <b>MB</b> (Matte Black)                           | <span style="display:inline-block; width:10px; height:10px; background-color:white; border:1px solid black;"></span> <b>SGW</b> (Semi Gloss White)     |
| <span style="display:inline-block; width:10px; height:10px; background-color:glossblack; border:1px solid black;"></span> <b>BK</b> (Gloss Black)           | <span style="display:inline-block; width:10px; height:10px; background-color:midnightblue; border:1px solid black;"></span> <b>MBL</b> (Midnight Blue)                      | <span style="display:inline-block; width:10px; height:10px; background-color:sand; border:1px solid black;"></span> <b>SND</b> (Sand)                  |
| <span style="display:inline-block; width:10px; height:10px; background-color:blue; border:1px solid black;"></span> <b>BLU</b> (Blue)                       | <span style="display:inline-block; width:10px; height:10px; background-color:paintednaturalaluminum; border:1px solid black;"></span> <b>PNA</b> (Painted Natural Aluminum) | <span style="display:inline-block; width:10px; height:10px; background-color:satin; border:1px solid black;"></span> <b>SS</b> (Satin Silver)          |
| <span style="display:inline-block; width:10px; height:10px; background-color:dovegray; border:1px solid black;"></span> <b>DVG</b> (Dove Gray)              | <span style="display:inline-block; width:10px; height:10px; background-color:paintednaturalcopper; border:1px solid black;"></span> <b>PNC</b> (Painted Natural Copper)     | <span style="display:inline-block; width:10px; height:10px; background-color:brass; border:1px solid black;"></span> <b>TBZ</b> (Textured Bronze)      |
| <span style="display:inline-block; width:10px; height:10px; background-color:flannelgray; border:1px solid black;"></span> <b>FLG</b> (Flannel Gray)        | <span style="display:inline-block; width:10px; height:10px; background-color:red; border:1px solid black;"></span> <b>RD</b> (Red)  | <span style="display:inline-block; width:10px; height:10px; background-color:graphite; border:1px solid black;"></span> <b>TGP</b> (Textured Graphite) |

**Specialty Finishes**

- |  |  |
|--|--|
| <span style="display:inline-block; width:10px; height:10px; background-color:tangerine; border:1px solid black;"></span> <b>TNG</b> (Tangerine)    | <span style="display:inline-block; width:10px; height:10px; background-color:galvanized; border:1px solid black;"></span> <b>GA</b> (Galvanized) |
| <span style="display:inline-block; width:10px; height:10px; background-color:tahitian; border:1px solid black;"></span> <b>TTL</b> (Tahitian Teal) | <span style="display:inline-block; width:10px; height:10px; background-color:white; border:1px solid black;"></span> <b>WT</b> (Gloss White)     |
| <span style="display:inline-block; width:10px; height:10px; background-color:yellow; border:1px solid black;"></span> <b>YEL</b> (Yellow)          |  |

