

MODERN

MD24, MD36

Extruded Aluminum Body w/ Solite Lens

¾" IP Arms Options

UL Wet Location Listed

Not for Use with Structure RLM



Fixture

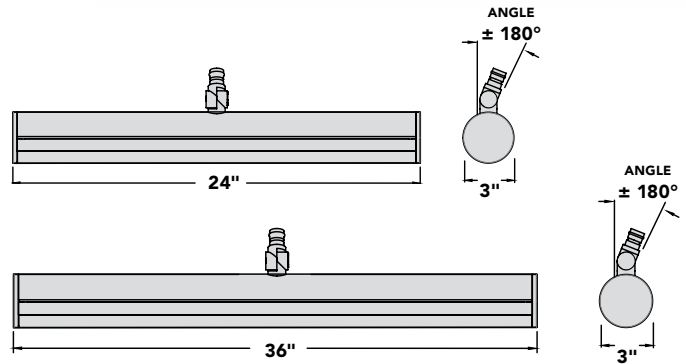
- Extruded Aluminum Body w/ Solite Lens
- 25W LED MD24 or 33W LED MD36

Finishes

- Shade, Arm, and Stem Finish Options
- See Reverse Side of Sheet for Finish Options

Mounting

- ¾" IP Arm Available



ORDERING EXAMPLE (FIXTURE AND MOUNTING SHOWN)

PIPE	CAT NO.	FINISH	PIPE	MOUNTING	FINISH
3	MD24	PNA	3	MAA18	PNA

¾" IP, Modern 24", 25W LED, Painted Natural Aluminum

¾" IP, Modern Arm 18", Painted Natural Aluminum

PIPE	CAT NO.	LEDS ¹	MOUNTING	GLASS	SHADE / LENS RING / MOUNT FINISH ²	
3	¾" IP	MD24	25W LED 2850°K ±150°K, 80 CRI, 120V, 1750 Lumens	MAA18	Modern Arm – 18"	Glass Solite Diffuser included All Standard and Specialty Finishes Coastal Finish Option – Add "-C" to end of order number Specify finish for Fixture and Arm or Stem separately as in the example above.
			33W LED 2850°K ±150°K, 80 CRI, 120V, 2300 LUMENS	MAA24	Modern Arm – 24"	
		MAA30	Modern Arm – 30"			
		SLA23	Small Loop – 23"			
			SLA30	Small Loop – 30"		

¹LAMPS/LEDS INCLUDED

²SEE FINISHES ON PAGE 24

PIPE	CAT NO.	SHADE FINISH
3	MD24	PNA

MOUNT PIPE	MOUNT	MOUNT FINISH
3	MAA18	PNA



A Division of Troy-CSL Lighting, Inc.
Copyright © 2015 Troy-CSL Lighting, Inc.

14508 Nelson Avenue City of Industry, CA 91744
www.TroyRLM.com T: 626.336.4511 F: 626.330.4266

Project _____

Fixture Type _____

Location _____

Contact _____

Phone _____

MODERN

MD24, MD36

Extruded Aluminum Body w/ Solite Lens

¾" IP Arms Options

UL Wet Location Listed

Not for Use with Structure RLM



LAMPS/BALLASTS

LEDS (included)

CAT. NO.	WATTS	LUMENS	VOLTS	COLOR TEMP ±100°	CRI	DIMMING
LED25	25W	1750	120V	2850°K	80	Incandescent
LED33	33W	2300	120V	2850°K	80	Incandescent

70% LUMEN MAINTENANCE @ 50,000 HOURS

FINISHES

COASTAL FINISH OPTION

- The Coastal Finish is a coating available to protect finishes on fixtures installed in coastal environments.
- To specify, add "-C" to end of order number

FIXTURES/SHADES

- Specialty Finishes can be specified for all Fixtures/Shades, unless otherwise noted.
- The insides of all Shades are painted Gloss White (WT) unless otherwise specified.
- Fixtures/Shades in Galvanized (GA) finish are not painted white inside. Shades will be Galvanized (GA) finish inside.
- Mounting Canopy finish to match Shade finish

MOUNTS

- Arms, Stems and Wall Mounts can be specified in all Standard and Specialty Finishes.
- Post Mounts can be specified only in Standard Finishes.

STANDARD FINISHES

- ABL** Aegean Blue
- BB** Burnished Bronze
- BK** Gloss Black
- BLU** Blue
- BZP** Bronze Patina
- DVG** Dove Gray
- FLG** Flannel Gray
- HG** Hunter Green
- LG** Lime Green
- MB** Matte Black
- PNA** Painted Natural Aluminum
- PNC** Painted Natural Copper
- RD** Red
- SGW** Semi Gloss White
- SS** Satin Silver
- TBZ** Textured Bronze
- TGP** Textured Graphite
- TNG** Tangerine
- TTL** Tahitian Teal
- WT** Gloss White

SPECIALITY FINISHES

- GA** Galvanized
- SA** Satin Aluminum

