

FRESH

Aluminum Shade with Solite Lens,
Two-Toned Shade and Lens Ring Option

Catalog #:

Project:

Type:

Date:

Notes:

Electrical

- 120/277V input
- Integrated power supply allows the fixture to be connected directly into line voltage
- Pre-wired and ready for install
- Dimmable with 120V Incandescent/Triac/0-10V dimmers

Mounting

- 1/2" IP or 3/4" IP for arms. Stems available only in 1/2"

Finishes

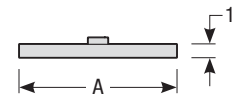
- Two-toned shade and lens ring finish options
- Available in 21 standard and 2 specialty finishes with optional coastal coating to protect finish in coastal environments (add "-C" to the finish)
- Consult factory for custom finish options

Listing

UL listed to US and Canadian standards for wet locations



Shade finish
Lens ring finish



	A
FR12	12"
FR16	16"

Fresh Order Matrix (Example: FR16LED44SGWSGW-3)

Diameter / LED Light Engine	Shade Finish	Lens Ring Finish	Coastal Coating	Mounting Type
FR12 (12") LED20 ^{1,2} (20W LED / 2800K / 80 CRI / 1200lm)	ABL Aegean Blue)	ABL Aegean Blue)	(blank) (No coating)	-2 (1/2" IP)
FR16 (16") LED44 ^{1,2} (44W LED / 2800K / 80 CRI / 2800lm - FR16 only)	BB (Burnished Bronze)	BB (Burnished Bronze)	-C (Coating)	-3 (3/4" IP)
	BK (Gloss Black)	BK (Gloss Black)		
	BLU (Blue)	BLU (Blue)		
	DVG (Dove Gray)	DVG (Dove Gray)		
	FLG (Flannel Gray)	FLG (Flannel Gray)		
	GA (Galvanized)	GA (Galvanized)		
	LG (Lime Green)	LG (Lime Green)		
	MB (Matte Black)	MB (Matte Black)		
	MBL (Midnight Blue)	MBL (Midnight Blue)		
	PNA (Painted Natural Aluminum)	PNA (Painted Natural Aluminum)		
	PNC (Painted Natural Copper)	PNC (Painted Natural Copper)		
	RD (Red)	RD (Red)		
	SGR (Sage Green)	SGR (Sage Green)		
	SGW (Semi Gloss White)	SGW (Semi Gloss White)		
	SND (Sand)	SND (Sand)		
	SS (Satin Silver)	SS (Satin Silver)		
	TBZ (Textured Bronze)	TBZ (Textured Bronze)		
	TGP (Textured Graphite)	TGP (Textured Graphite)		
	TNG (Tangerine)	TNG (Tangerine)		
	TTL (Tahitian Teal)	TTL (Tahitian Teal)		
	WT (Gloss White)	WT (Gloss White)		
	YEL (Yellow)	YEL (Yellow)		

1. Lamps must be specified, and are not included in shade cost
2. Lumen are raw LED value

KEY: Standard Finishes

ABL (Aegean Blue)	LG (Lime Green)	SGR (Sage Green)
BB (Burnished Bronze)	MB (Matte Black)	SGW (Semi Gloss White)
BK (Gloss Black)	MBL (Midnight Blue)	SND (Sand)
BLU (Blue)	PNA (Painted Natural Aluminum)	SS (Satin Silver)
DVG (Dove Gray)	PNC (Painted Natural Copper)	TBZ (Textured Bronze)
FLG (Flannel Gray)	RD (Red)	TGP (Textured Graphite)

Specialty Finishes

GA (Galvanized)	TNG (Tangerine)
TTL (Tahitian Teal)	WT (Gloss White)
YEL (Yellow)	



FRESH

Aluminum Shade with Solite Lens,
Two-Toned Shade and Lens Ring Option

Catalog #:

Project:

Date:

Type:

Notes:

Arm Mount Order Matrix (Example: 3LMB18SGW)

Pipe	Arm Type	Finish	Coastal Coating Option
2 (1/2" IP)	SLB23 (Small Loop - 23")	ABL (Aegean Blue)	(blank) (No coating)
3 (3/4" IP)	SLB30 (Small Loop - 30")	BB (Burnished Bronze)	-C (Coating)
	LLB23 (Large Loop - 23")	BK (Gloss Black)	
	LLB30 (Large Loop - 30")	BLU (Blue)	
	LCB18 (Curve Arm - 18")	DVG (Dove Gray)	
	LCB24 (Curve Arm - 24")	FLG (Flannel Gray)	
	LCB30 (Curve Arm - 30")	GA (Galvanized)	
	LMB18 (Miter Arm - 18")	LG (Lime Green)	
	LMB24 (Miter Arm - 24")	MB (Matte Black)	
	LMB30 (Miter Arm - 30")	MBL (Midnight Blue)	
	SAB18 (Sign Arm - 18")	PNA (Painted Natural Aluminum)	
	SAB23 (Sign Arm - 23")	PNC (Painted Natural Copper)	
	LSAB23 (Large Loop Sign Arm - 23")	RD (Red)	
	LSAB30 (Large Loop Sign Arm - 30")	SGR (Sage Green)	
	MAB18 (Modern Arm - 18")	SGW (Semi Gloss White)	
	MAB24 (Modern Arm - 24")	SND (Sand)	
	MAB30 (Modern Arm - 30")	SS (Satin Silver)	
		TBZ (Textured Bronze)	
		TGP (Textured Graphite)	
		TNG (Tangerine)	
		TTL (Tahitian Teal)	
		WT (Gloss White)	
		YEL (Yellow)	

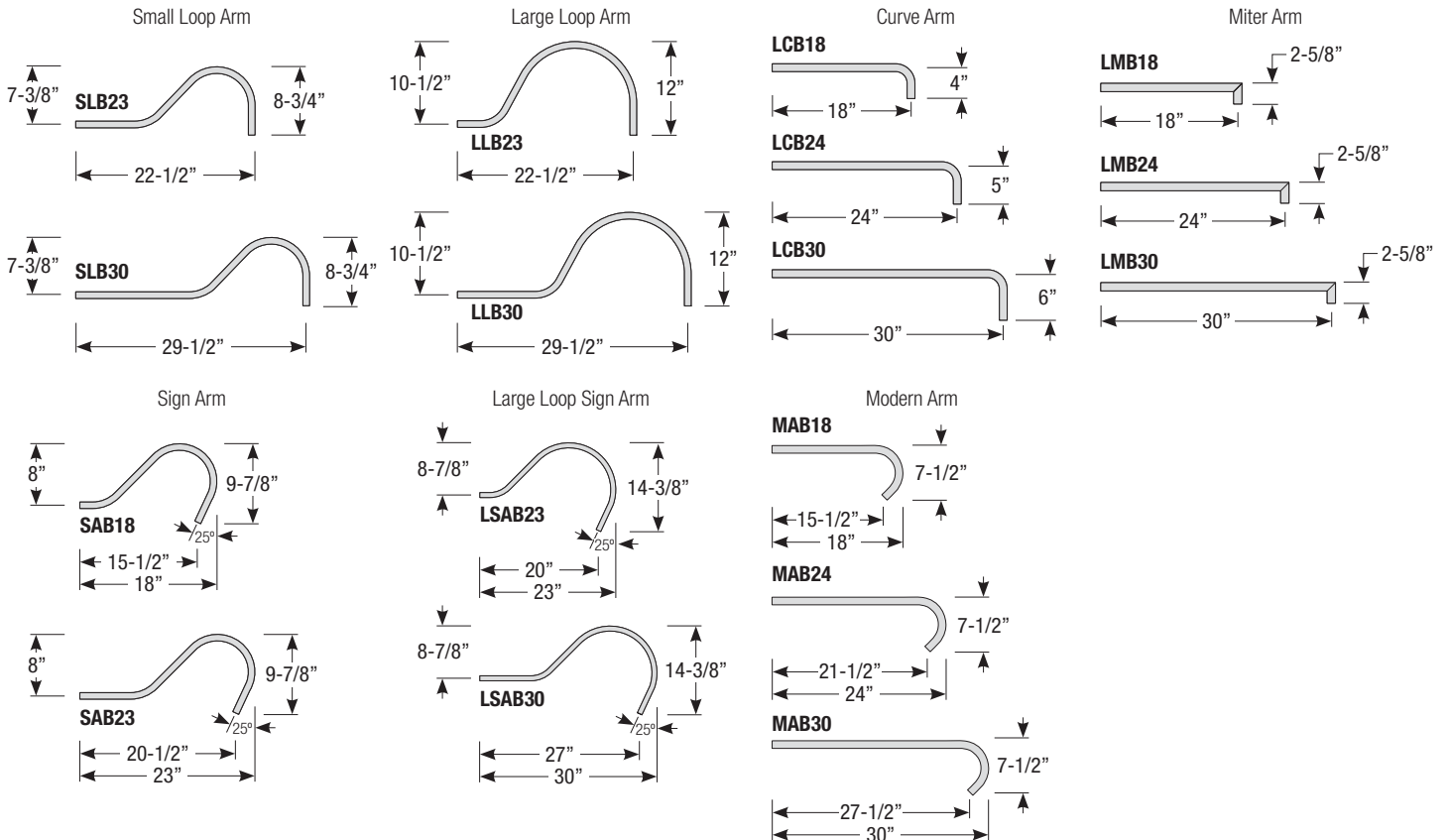
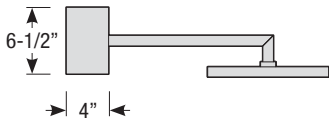
Standard Finishes

	ABL (Aegean Blue)		RD (Red)
	BB (Burnished Bronze)		SGR (Sage Green)
	BK (Gloss Black)		SGW (Semi Gloss White)
	BLU (Blue)		SND (Sand)
	DVG (Dove Gray)		SS (Satin Silver)
	FLG (Flannel Gray)		TBZ (Textured Bronze)
	LG (Lime Green)		TGP (Textured Graphite)
	MB (Matte Black)		TNG (Tangerine)
	MBL (Midnight Blue)		TTL (Tahitian Teal)
	PNA (Painted Natural Aluminum)		WT (Gloss White)
	PNC (Painted Natural Copper)		YEL (Yellow)

Specialty Finishes

	GA (Galvanized)
--	------------------------

Note: All arm mounts include 4" deep canopy



Spec-00029 Revised 05/07/2020

14508 Nelson Ave. City of Industry, CA 91744 • tel: 626.336.4511 • fax: 626.330.4266 • www.TroyRLM.com
©2020 Troy-RLM Lighting, A Division of Troy-CSL Lighting, Inc. All rights reserved. Subject to change without notice.



FRESH

Aluminum Shade with Solite Lens,
Two-Toned Shade and Lens Ring Option

Catalog #:

Project:

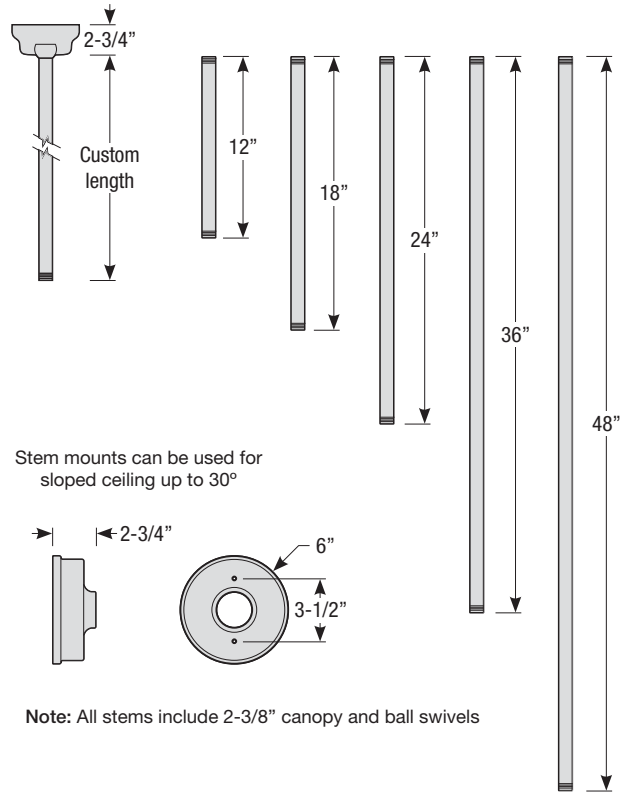
Type:

Date:

Notes:

Stem Mount Order Matrix (Example: 2HSB18SGW)

Pipe	Stem Length	Finish	Coastal Coating Option
2 (1/2" IP)	HSB12 (12")	ABL (Aegean Blue)	(blank) (No coating)
	HSB18 (18")	BB (Burnished Bronze)	-C (Coating)
	HSB24 (24")	BK (Gloss Black)	
	HSB36 (36")	BLU (Blue)	
	HSB48 (48")	DVG (Dove Gray)	
	HSB__ (Custom length from 2" up to 60")	FLG (Flannel Gray)	
		GA (Galvanized)	
		LG (Lime Green)	
		MB (Matte Black)	
		MBL (Midnight Blue)	
		PNA (Painted Natural Aluminum)	
		PNC (Painted Natural Copper)	
		RD (Red)	
		SGR (Sage Green)	
	SGW (Semi Gloss White)		
	SND (Sand)		
	SS (Satin Silver)		
	TBZ (Textured Bronze)		
	TGP (Textured Graphite)		
	TNG (Tangerine)		
	TTL (Tahitian Teal)		
	WT (Gloss White)		
	YEL (Yellow)		



Stem mounts can be used for sloped ceiling up to 30°

Note: All stems include 2-3/8" canopy and ball swivels

KEY: Standard Finishes

- ABL** (Aegean Blue)
- BB** (Burnished Bronze)
- BK** (Gloss Black)
- BLU** (Blue)
- DVG** (Dove Gray)
- FLG** (Flannel Gray)
- LG** (Lime Green)
- MB** (Matte Black)
- MBL** (Midnight Blue)
- PNA** (Painted Natural Aluminum)
- PNC** (Painted Natural Copper)
- RD** (Red)
- SGR** (Sage Green)
- SGW** (Semi Gloss White)
- SND** (Sand)
- SS** (Satin Silver)
- TBZ** (Textured Bronze)
- TGP** (Textured Graphite)

Specialty Finishes

- TNG** (Tangerine)
- TTL** (Tahitian Teal)
- WT** (Gloss White)
- YEL** (Yellow)
- GA** (Galvanized)

