

BELL

Aluminum Shade with Solite Lens, Two-Toned Shade and Lens Ring Option

Catalog #:

Project:

Type:

Date:

Notes:

Electrical

- 120V input (277V available in arm and post option only)
- Integrated power supply allows the fixture to be connected directly into line voltage
- Pre-wired and ready for install
- LED is dimmable with Incandescent/Triac dimmers

Mounting

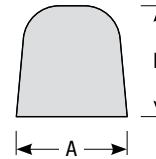
- 1/2" or 3/4" IP for arms. Flush mount, stems and post available only in 1/2"
- 9' Pendant cord available in black or white cord (includes 5" canopy with the same finish as the shade)

Finishes

- Two-toned shade and lens ring finish options
- Available in 21 standard and 2 specialty finishes with optional coastal coating to protect finish in coastal environments (add "-C" to the finish)
- Consult factory for custom finish options

Listing

UL listed to US and Canadian standards for wet locations



	A	B
BL8	8"	8-1/2"
BL10	10"	10"
BL12	12"	12"

Bell Order Matrix (Example: BL12MSGWTNG-3)

Diameter	Lamp / LED	Shade Finish	Lens Ring Finish	Coastal Coating Option	Mounting Type
BL8 (8")	M (Medium Base, 100W max.)	ABL (Aegean Blue)	ABL (Aegean Blue)	(blank) (No coating)	-2 (1/2" IP)
BL10 (10")	GU2413¹ (13W GU24 / 2700K)	BB (Burnished Bronze)	BB (Burnished Bronze)	-C³ (Coating)	-3 (3/4" IP)
BL12 (12")	GU2418¹ (18W GU24 / 2700K)	BK (Gloss Black)	BK (Gloss Black)		-B (Black Cord Pendant)
	GU2426¹ (26W GU24 / 2700K)	BLU (Blue)	BLU (Blue)		-W (White Cord Pendant)
	GU2432¹ (32W GU24 / 2700K)	DVG (Dove Gray)	DVG (Dove Gray)		-F (Flush Mount)
	GU2442¹ (42W GU24 / 2700K)	FLG (Flannel Gray)	FLG (Flannel Gray)		
	LED1227^{1,2} (12W LED / 2700K / 90 CRI / 844lm)	GA (Galvanized)	GA (Galvanized)		
	LED1230^{1,2} (12W LED / 3000K / 90 CRI / 861lm)	LG (Lime Green)	LG (Lime Green)		
	LED1235^{1,2} (12W LED / 3500K / 90 CRI / 872lm)	MB (Matte Black)	MB (Matte Black)		
	LED1240^{1,2} (12W LED / 4000K / 90 CRI / 889lm)	MBL (Midnight Blue)	MBL (Midnight Blue)		
	LED1827^{1,2} (18W LED / 2700K / 90 CRI / 1265lm)	PNA (Painted Natural Aluminum)	PNA (Painted Natural Aluminum)		
	LED1830^{1,2} (18W LED / 3000K / 90 CRI / 1288lm)	PNC (Painted Natural Copper)	PNC (Painted Natural Copper)		
	LED1835^{1,2} (18W LED / 3500K / 90 CRI / 1311lm)	RD (Red)	RD (Red)		
	LED1840^{1,2} (18W LED / 4000K / 90 CRI / 1334lm)	SA (Satin Aluminum)	SA (Satin Aluminum)		
		SGR (Sage Green)	SGR (Sage Green)		
		SGW (Semi Gloss White)	SGW (Semi Gloss White)		
		SND (Sand)	SND (Sand)		
		SS (Satin Silver)	SS (Satin Silver)		
		TBZ (Textured Bronze)	TBZ (Textured Bronze)		
		TGP (Textured Graphite)	TGP (Textured Graphite)		
		TNG (Tangerine)	TNG (Tangerine)		
		TTL (Tahitian Teal)	TTL (Tahitian Teal)		
		WT (Gloss White)	WT (Gloss White)		

1. Lamps must be specified, and are not included in shade cost
2. Lumen are raw LED value

3. Satin aluminum cannot be coated

KEY: Standard Finishes

ABL (Aegean Blue)	LG (Lime Green)	SGR (Sage Green)
BB (Burnished Bronze)	MB (Matte Black)	SGW (Semi Gloss White)
BK (Gloss Black)	MBL (Midnight Blue)	SND (Sand)
BLU (Blue)	PNA (Painted Natural Aluminum)	SS (Satin Silver)
DVG (Dove Gray)	PNC (Painted Natural Copper)	TBZ (Textured Bronze)
FLG (Flannel Gray)	RD (Red)	TGP (Textured Graphite)

Specialty Finishes

TNG (Tangerine)	GA (Galvanized)
TTL (Tahitian Teal)	SA (Satin Aluminum)
WT (Gloss White)	

Spec-00023 Revised 08/05/19



BELL

Aluminum Shade with Solite Lens,
Two-Toned Shade and Lens Ring Option

Catalog #:

Project:

Date:

Type:

Notes:

Arm Mount Order Matrix (Example: 3LC18SGW)

Pipe	Arm Type	Finish	Coastal Coating Option	Input Voltage
2 (1/2" IP)	SL23 (Small Loop - 23")	ABL (Aegean Blue)	(blank) (No coating)	(blank) (120V)
3 (3/4" IP)	SL30 (Small Loop - 30")	BB (Burnished Bronze)	-C ³ (Coating)	-27 (277V)
	LL23 (Large Loop - 23")	BK (Gloss Black)		
	LL30 (Large Loop - 30")	BLU (Blue)		
	LC18 (Curve Arm - 18")	DVG (Dove Gray)		
	LC24 (Curve Arm - 24")	FLG (Flannel Gray)		
	LC30 (Curve Arm - 30")	GA (Galvanized)		
	LM18 (Miter Arm - 18")	LG (Lime Green)		
	LM24 (Miter Arm - 24")	MB (Matte Black)		
	LM30 (Miter Arm - 30")	MBL (Midnight Blue)		
	SA18 (Sign Arm - 18")	PNA (Painted Natural Aluminum)		
	SA23 (Sign Arm - 23")	PNC (Painted Natural Copper)		
	LSA23 (Large Loop Sign Arm - 23")	RD (Red)		
	LSA30 (Large Loop Sign Arm - 30")	SA (Satin Aluminum)		
	A6 (Straight Arm - 6")	SGR (Sage Green)		
	A12 (Straight Arm - 12")	SGW (Semi Gloss White)		
	A18 (Straight Arm - 18")	SND (Sand)		
	A24 (Straight Arm - 24")	SS (Satin Silver)		
	A30 (Straight Arm - 30")	TBZ (Textured Bronze)		
	MA18 (Modern Arm - 18")	TGP (Textured Graphite)		
	MA24 (Modern Arm - 24")	TNG (Tangerine)		
	MA30 (Modern Arm - 30")	TTL (Tahitian Teal)		
		WT (Gloss White)		

Standard Finishes

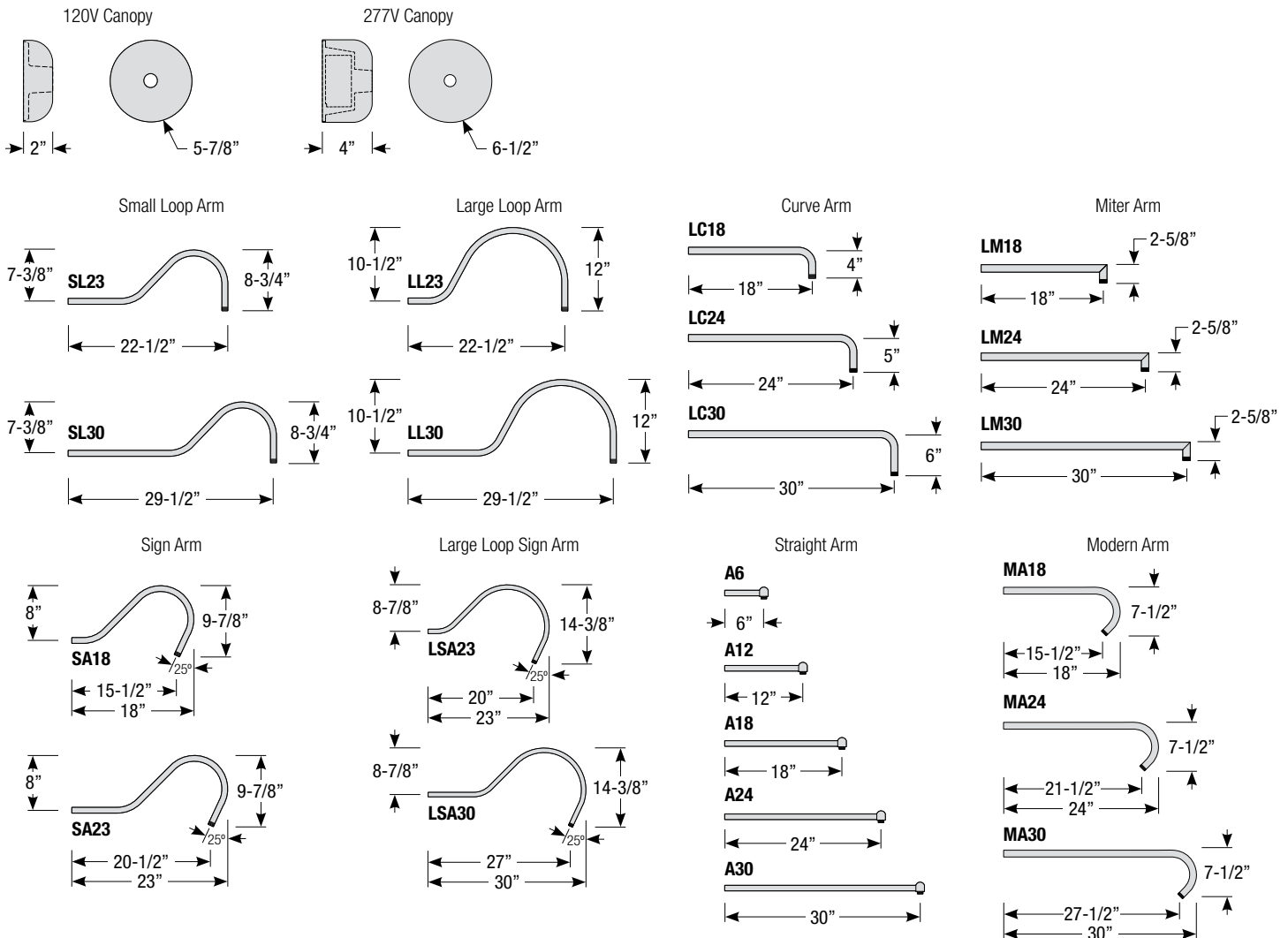
	ABL (Aegean Blue)		PNC (Painted Natural Copper)
	BB (Burnished Bronze)		RD (Red)
	BK (Gloss Black)		SGR (Sage Green)
	BLU (Blue)		SGW (Semi Gloss White)
	DVG (Dove Gray)		SND (Sand)
	FLG (Flannel Gray)		SS (Satin Silver)
	LG (Lime Green)		TBZ (Textured Bronze)
	MB (Matte Black)		TGP (Textured Graphite)
	MBL (Midnight Blue)		TNG (Tangerine)
	PNA (Painted Natural Aluminum)		TTL (Tahitian Teal)
			WT (Gloss White)

Specialty Finishes

	GA (Galvanized)		SA (Satin Aluminum)
--	------------------------	--	----------------------------

3. Satin aluminum cannot be coated

Note: All arm mounts include canopy



Spec-00023 Revised 08/05/19



BELL

Aluminum Shade with Solite Lens,
Two-Toned Shade and Lens Ring Option

Catalog #:

Project:

Date:

Type:

Notes:

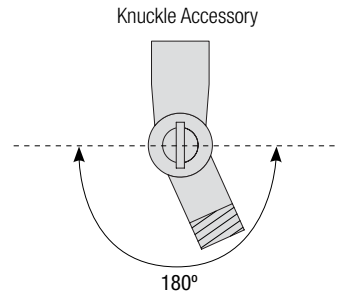
Knuckle Accessory Order Matrix (Example: 2KNLSGW)

Pipe	Finish	Finish	Coastal Coating Option
2 (1/2" IP)	KNL (Adjustable 180° Knuckle for Arm Mounts)	ABL (Aegean Blue)	(blank) (No coating)
3 (3/4" IP)		BB (Burnished Bronze)	-C (Coating)
		BK (Gloss Black)	
		BLU (Blue)	
		DVG (Dove Gray)	
		FLG (Flannel Gray)	
		GA (Galvanized)	
		LG (Lime Green)	
		MB (Matte Black)	
		MBL (Midnight Blue)	
		PNA (Painted Natural Aluminum)	
		PNC (Painted Natural Copper)	
		RD (Red)	
		SA (Satin Aluminum)	
		SGR (Sage Green)	
		SGW (Semi Gloss White)	
		SND (Sand)	
		SS (Satin Silver)	
		TBZ (Textured Bronze)	
		TGP (Textured Graphite)	
		TNG (Tangerine)	
		TTL (Tahitian Teal)	
		WT (Gloss White)	

3. Satin aluminum cannot be coated

Description

Adjustable knuckle for arm mounts that allow luminaire to be rotated up to 180°.



KEY: Standard Finishes

 ABL (Aegean Blue)	 LG (Lime Green)	 SGR (Sage Green)
 BB (Burnished Bronze)	 MB (Matte Black)	 SGW (Semi Gloss White)
 BK (Gloss Black)	 MBL (Midnight Blue)	 SND (Sand)
 BLU (Blue)	 PNA (Painted Natural Aluminum)	 SS (Satin Silver)
 DVG (Dove Gray)	 PNC (Painted Natural Copper)	 TBZ (Textured Bronze)
 FLG (Flannel Gray)	 RD (Red)	 TGP (Textured Graphite)

Specialty Finishes

 TNG (Tangerine)	 GA (Galvanized)
 TTL (Tahitian Teal)	 SA (Satin Aluminum)
 WT (Gloss White)	

BELL

Aluminum Shade with Solite Lens,
Two-Toned Shade and Lens Ring Option

Catalog #:

Project:

Date:

Type:

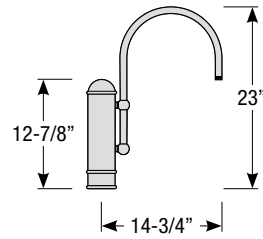
Notes:

Post / Wall Mount Order Matrix (Example: 2W1SGW)

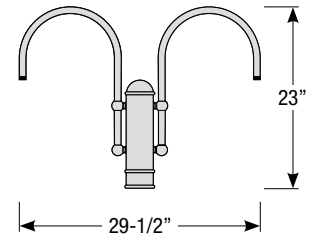
Pipe	Mount Type	Finish	Input Voltage
2 (1/2" IP)	P1 (Single Post Mount) P2 (Double Post Mount) W1 (Traditional Wall Mount)	ABL (Aegean Blue)	(blank) (120V)
		BB (Burnished Bronze)	-27 ^s (277V)
		BK (Gloss Black)	
	BLU (Blue)		
	DVG (Dove Gray)		
	FLG (Flannel Gray)		
	GA (Galvanized)		
	LG (Lime Green)		
	MB (Matte Black)		
	MBL (Midnight Blue)		
	PNA (Painted Natural Aluminum)		
	PNC (Painted Natural Copper)		
	RD (Red)		
	SA (Satin Aluminum)		
	SGR (Sage Green)		
	SGW (Semi Gloss White)		
	SND (Sand)		
	SS (Satin Silver)		
TBZ (Textured Bronze)			
TGP (Textured Graphite)			
TNG (Tangerine)			
TTL (Tahitian Teal)			
WT (Gloss White)			

5. Post mount only

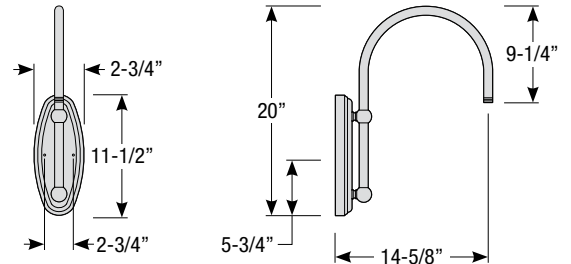
Single Post Mount



Double Post Mount



Traditional Wall Mount



Post Type Order Matrix (Example: P8683-96SGW)

Post Type	Finish
PM4946 (Cast Aluminum Post)	ABL (Aegean Blue)
P8683-96 (Cast Aluminum Base w/ 96" Aluminum Post)	BB (Burnished Bronze)
P8683-120 (Cast Aluminum Base w/ 120" Aluminum Post)	BK (Gloss Black)
P8684-96 (96" Straight Aluminum Post)	BLU (Blue)
P8684-120 (120" Straight Aluminum Post)	DVG (Dove Gray)
PM8685 (Cast Aluminum Pier Mount - must be used with straight aluminum post, P8684)	FLG (Flannel Gray)
	GA (Galvanized)
	LG (Lime Green)
	MB (Matte Black)
	MBL (Midnight Blue)
	PNA (Painted Natural Aluminum)
	PNC (Painted Natural Copper)
	RD (Red)
	SA (Satin Aluminum)
	SGR (Sage Green)
	SGW (Semi Gloss White)
	SND (Sand)
	SS (Satin Silver)
	TBZ (Textured Bronze)
	TGP (Textured Graphite)
	TNG (Tangerine)
	TTL (Tahitian Teal)
	WT (Gloss White)

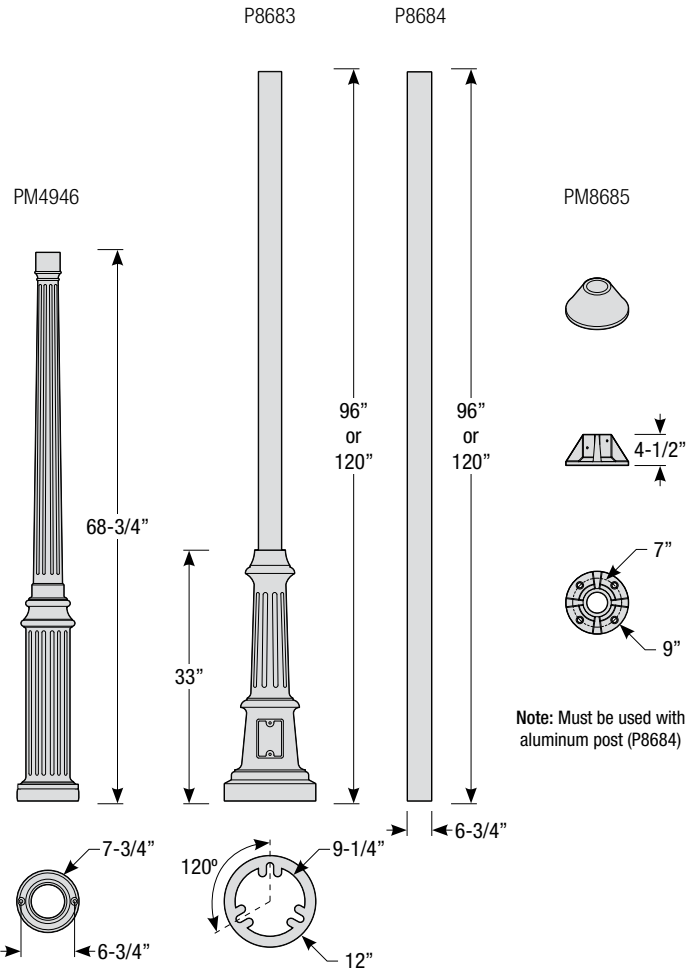
Standard Finishes

ABL (Aegean Blue)	PNC (Painted Natural Copper)
BB (Burnished Bronze)	RD (Red)
BK (Gloss Black)	SGR (Sage Green)
BLU (Blue)	SGW (Semi Gloss White)
DVG (Dove Gray)	SND (Sand)
FLG (Flannel Gray)	SS (Satin Silver)
LG (Lime Green)	TBZ (Textured Bronze)
MB (Matte Black)	TGP (Textured Graphite)
MBL (Midnight Blue)	TNG (Tangerine)
PNA (Painted Natural Aluminum)	TTL (Tahitian Teal)
WT (Gloss White)	WT (Gloss White)

Specialty Finishes

GA (Galvanized)	SA (Satin Aluminum)
-----------------	---------------------

Spec-00023 Revised 08/05/19



BELL

Aluminum Shade with Solite Lens,
Two-Toned Shade and Lens Ring Option

Catalog #:

Project:

Date:

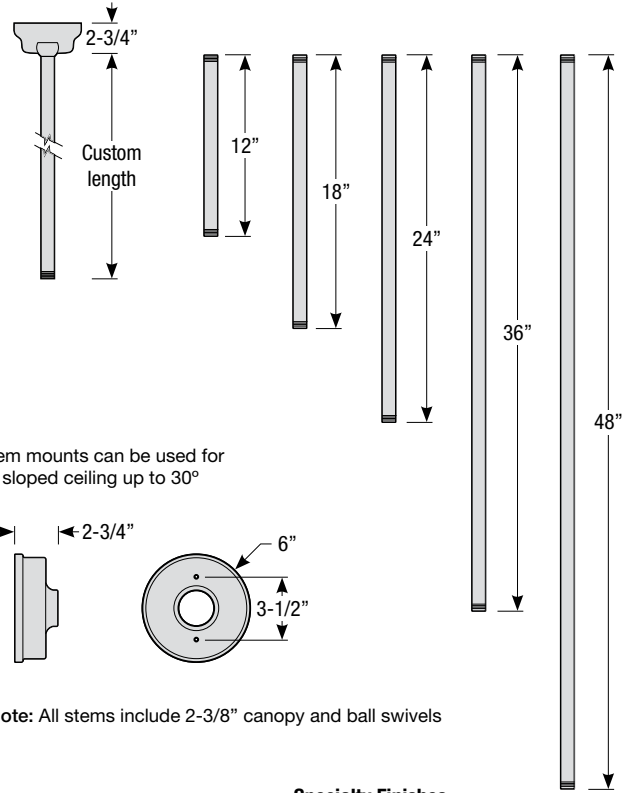
Type:

Notes:

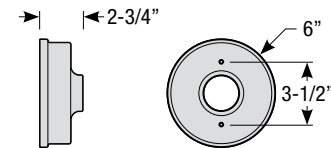
Stem Mount Order Matrix (Example: 2HS18SGW)

Pipe	Stem Length	Finish	Coastal Coating Option
2 (1/2" IP)	HS12 (12")	ABL (Aegean Blue)	(blank) (No coating)
	HS18 (18")	BB (Burnished Bronze)	-C ³ (Coating)
	HS24 (24")	BK (Gloss Black)	
	HS36 (36")	BLU (Blue)	
	HS48 (48")	DVG (Dove Gray)	
	HS_ (Custom length from 2" up to 60")	FLG (Flannel Gray)	
		GA (Galvanized)	
		LG (Lime Green)	
		MB (Matte Black)	
		MBL (Midnight Blue)	
		PNA (Painted Natural Aluminum)	
		PNC (Painted Natural Copper)	
		RD (Red)	
		SA (Satin Aluminum)	
		SGR (Sage Green)	
		SGW (Semi Gloss White)	
		SND (Sand)	
	SS (Satin Silver)		
	TBZ (Textured Bronze)		
	TGP (Textured Graphite)		
	TNG (Tangerine)		
	TTL (Tahitian Teal)		
	TTL (Tahitian Teal)		
	WT (Gloss White)		

3. Satin aluminum cannot be coated



Stem mounts can be used for sloped ceiling up to 30°



Note: All stems include 2-3/8" canopy and ball swivels

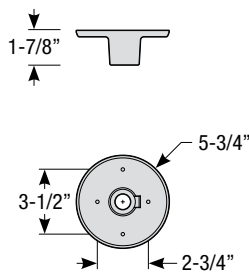
KEY: Standard Finishes

ABL (Aegean Blue)	LG (Lime Green)	SGR (Sage Green)
BB (Burnished Bronze)	MB (Matte Black)	SGW (Semi Gloss White)
BK (Gloss Black)	MBL (Midnight Blue)	SND (Sand)
BLU (Blue)	PNA (Painted Natural Aluminum)	SS (Satin Silver)
DVG (Dove Gray)	PNC (Painted Natural Copper)	TBZ (Textured Bronze)
FLG (Flannel Gray)	RD (Red)	TGP (Textured Graphite)

Specialty Finishes

TNG (Tangerine)	GA (Galvanized)
TTL (Tahitian Teal)	SA (Satin Aluminum)
WT (Gloss White)	

Ceiling Flush Mount Canopy



Note: Ceiling flush mount canopy includes 2" stem

Pendant Canopy

